



# EE678TS

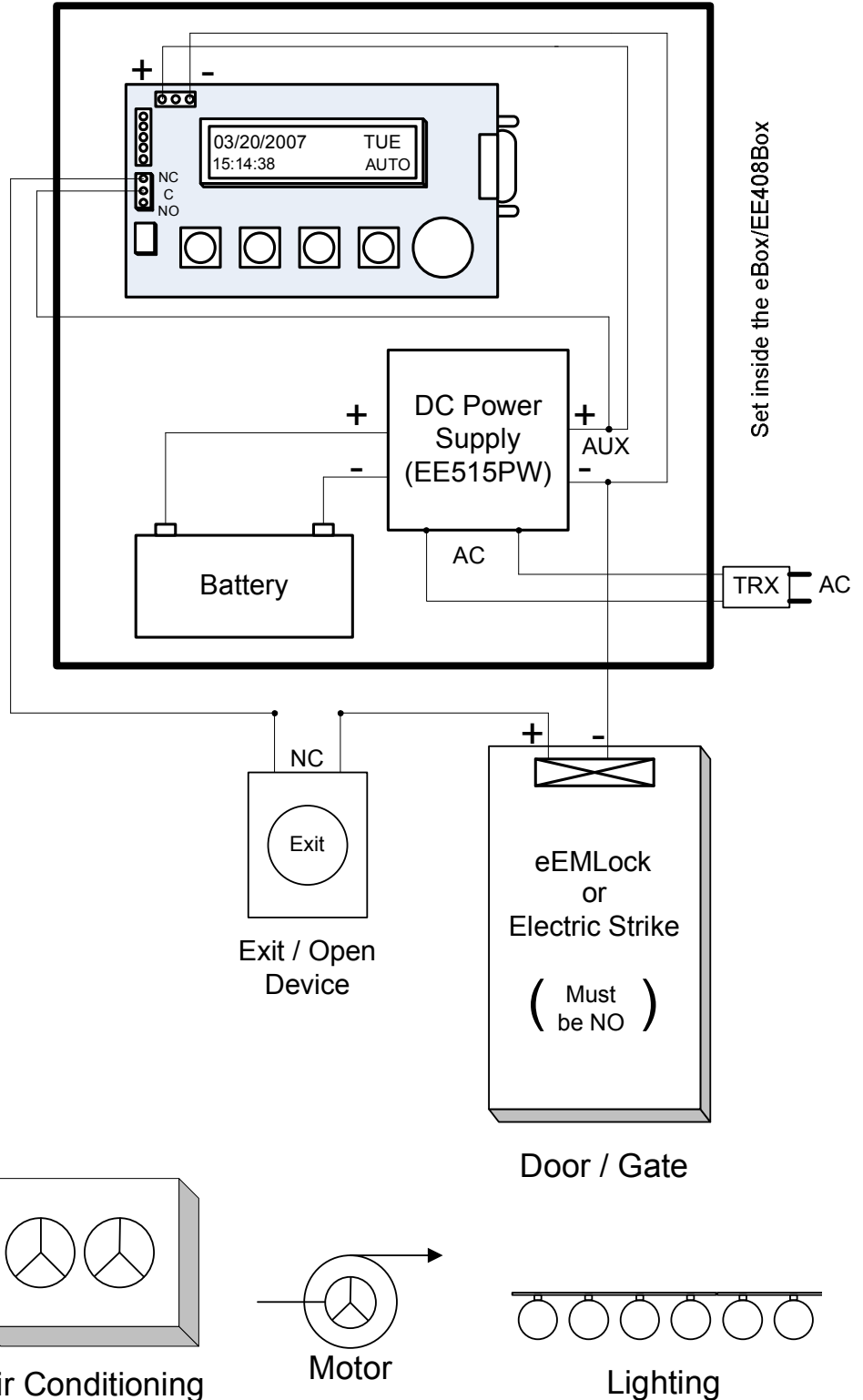
## Typical Application



PC programmable  
(Optional)

**SPECIFICATIONS:**

- 12 - 14 volts DC operation
- Standby current: 15mA (relay off) 35mA (relay on).
- Relay contacts are rated at 2 amps for 24 VDC, L or M output selectable.
- Memory protects against loss of programming due to power failures.
- Accurate crystal controlled clock.
- Momentary and/or Latching Events (002 ~ 999 sec.).
- 9 individually programmed daily events.
- 9 programmable Holiday dates.
- Alphanumeric LCD display with back lighting.
- Standard or Daylight Savings Time settings (updated).
- Automatic compensation for leap years.
- Lithium battery backup.
- PC programming through RS232 port. (RS232 Cable is not included, eTimer programming software / EE678PGS is optional)
- 50+ year calendar with Year, Month, Week, Day, Hour, Min including holidays.
- Dimensions: 4.5" W x 2.75" L x 1" D



Set inside the eBox/EE408Box

Control Module

2-2