

EE778PRM

**Input – 3-32VDC / 30mA
control**

**Output – AC Power
Switch: 125VAC / 30A**

**Zero cross turn-on
random turn-on**

**1200V blocking
capability**

Metal Housing

Pre-installation wired



ePower Relay* , EE-EE778PRM is ideal for most AC power control applications. This state-of-the-art relay has rugged back-to-back SCR outputs and is rated for use on AC lines up to 530Vrms. This relay can withstand over voltage transients up to 1200Vpk. The low control current needed for DC control is achieved by unique active current limited input, which can reduce power supply requirements, particularly where multiple relays are used. Zero voltage and random (suffix '-10') turn-on versions are offered; DC control random turn-on relays are phase controllable. The standard AC control voltage is 90-280Vac; Current rating from 12 – 65 amps. Extension cords are available. This relay is encapsulated in thermal conductive epoxy.

APPLICATIONS:

ePower Relay , EE-EE778PRM is single-phase or three phase AC/DC solid state relay, with single-phase / three phase AC power / voltage regulating module completely control rectified current module. Complete I/O modules. Three phase, vacancy phase solid state relay. EE778PRM features constant current input which means that control power requirements remain low, even at high control voltages. An extended power strip is pre-installed for convenient field applications, such as lighting control, air conditioning, heating control and AC motor control etc .

Sample installations are:

Fire Alarm Elevator Control

Air Fan Control

CCTV Lighting on/off Control

Access Energy Saving Control

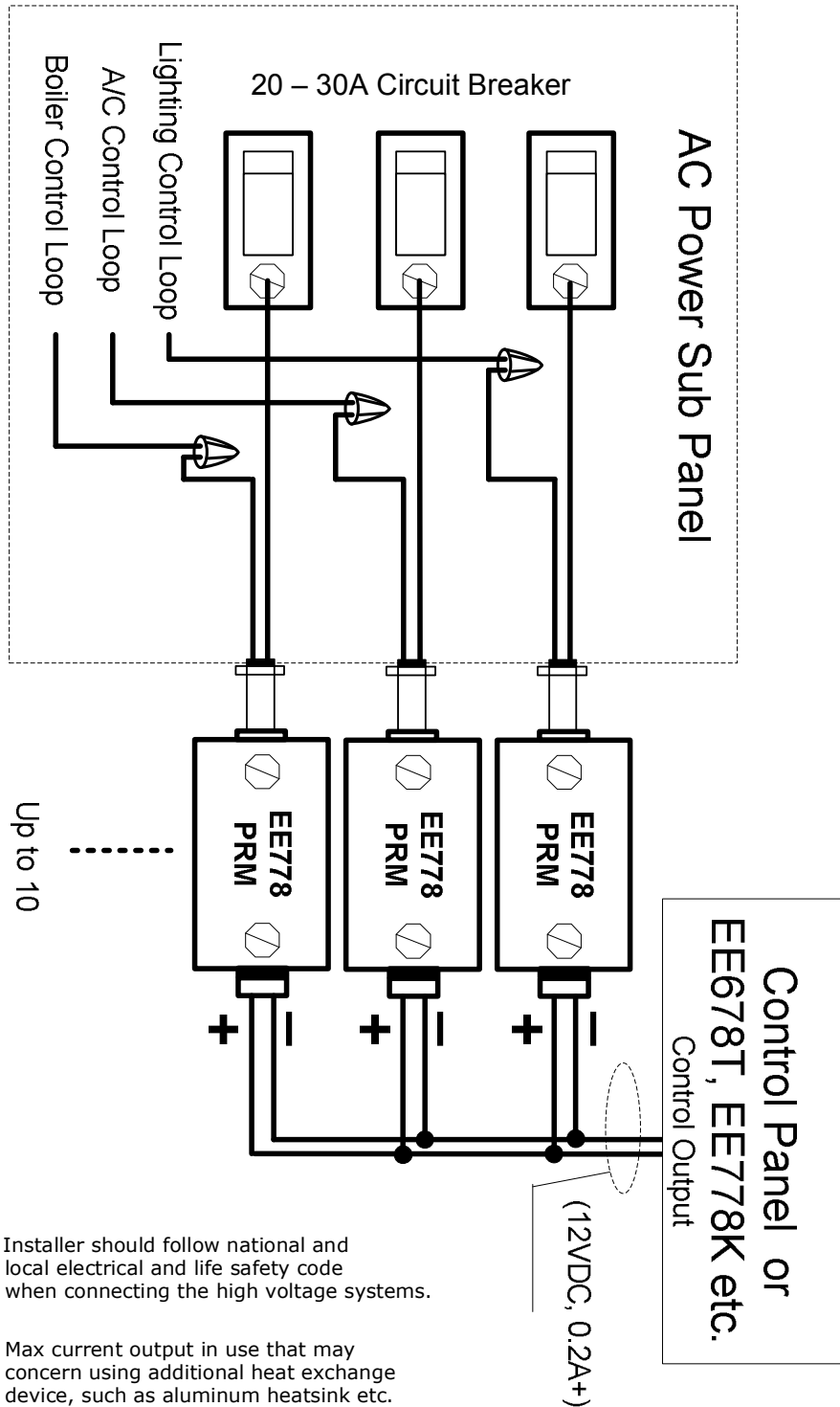
* ePower relays are assembled in the United States with highest reliability and lifetime performance ensured for all products.

EE778PRM

Typical Applications*:

Specification:

- Input-voltage range 3-32VDC
- Max on-state voltage 3VDC
- Min dropout voltage 1VDC
- Output voltage 220VAC
- Min off-state voltage 24VAC
- Non-repetitive peak voltage 800,1000 VP
- Operating frequency range 47-70 HZ
- Rated load current 65 A **
- Incandescent lamp ampere rating 32 A
- Motor load ampere rating 6 A
- Min load circuit current 50 mA
- Max rms overload currents for 1 second 250 A
- Max off-state leakage current 12 A
- dv/dt 250 v/us
- Response time (max at 50HZ) 10 ms
- Opto-isolation 10 PF
- Dielectric strength 1500 V
- Insulation resistance 100 OM
- Operating temperature (-13F-158F)
- Storage temperature (-13F -185F)



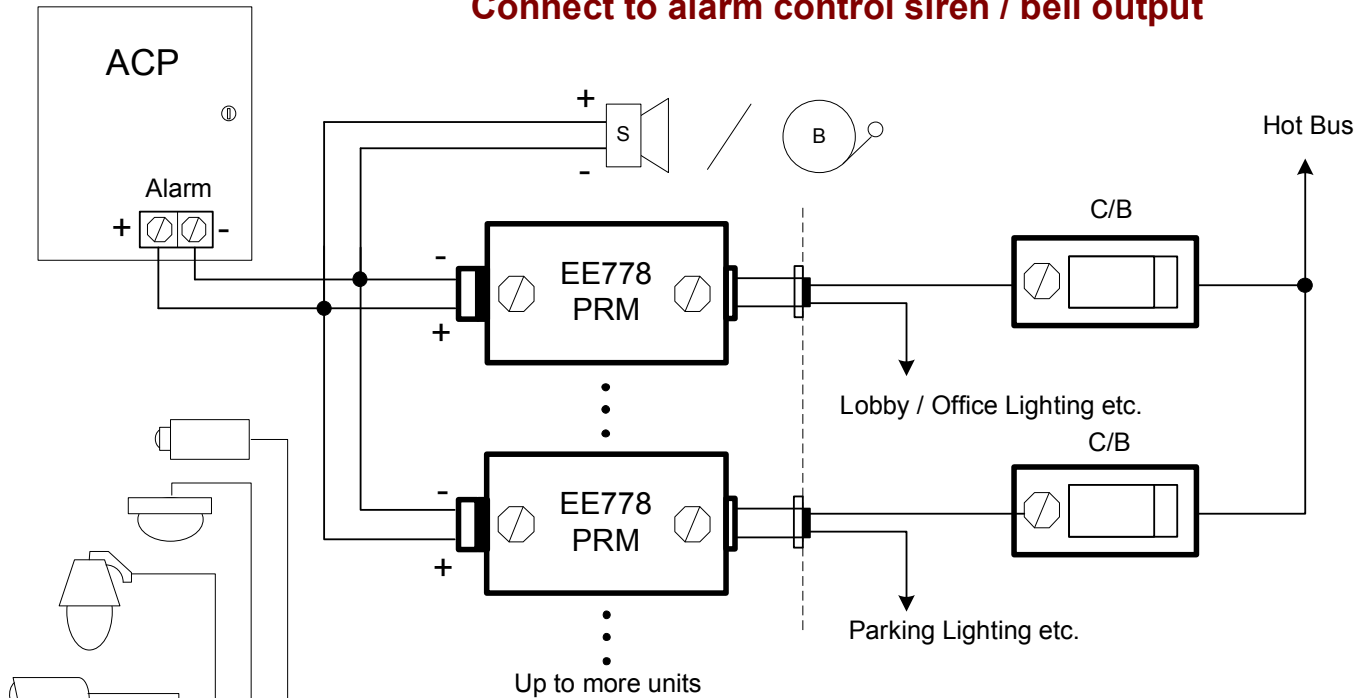
* Installer should follow national and local electrical and life safety code when connecting the high voltage systems.

** Max current output in use that may concern using additional heat exchange device, such as aluminum heatsink etc.

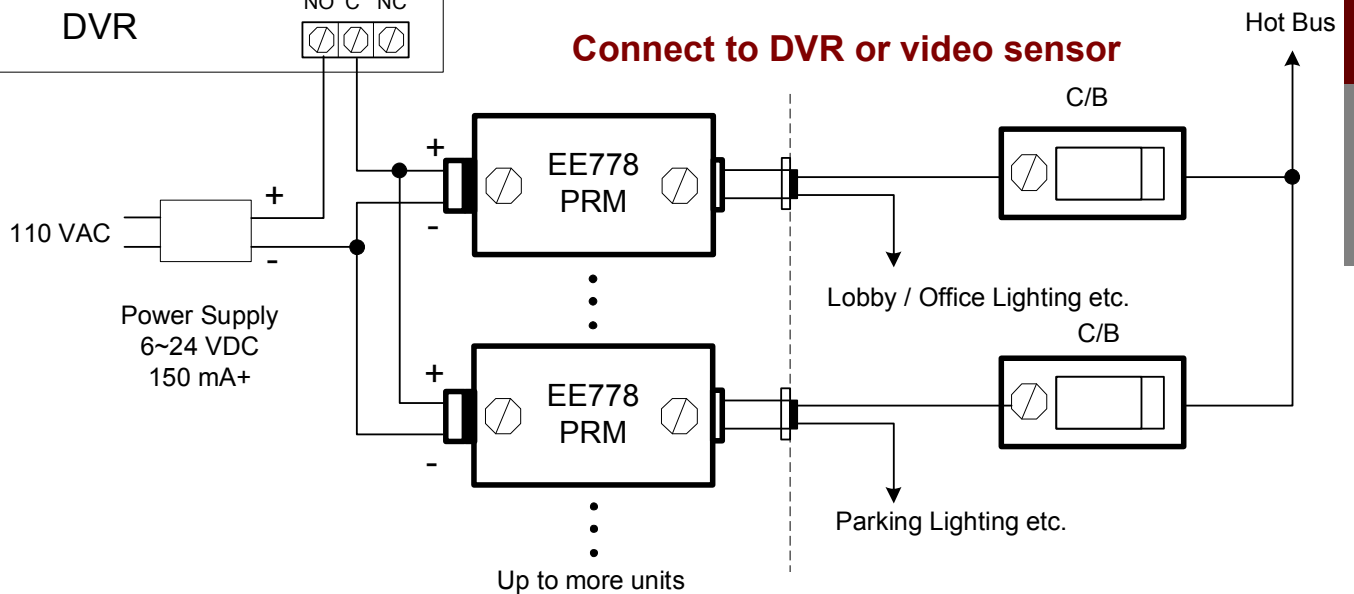
EE778PRM

Security, Safety & Energy Enhancement Applications*

Connect to alarm control siren / bell output



Connect to DVR or video sensor

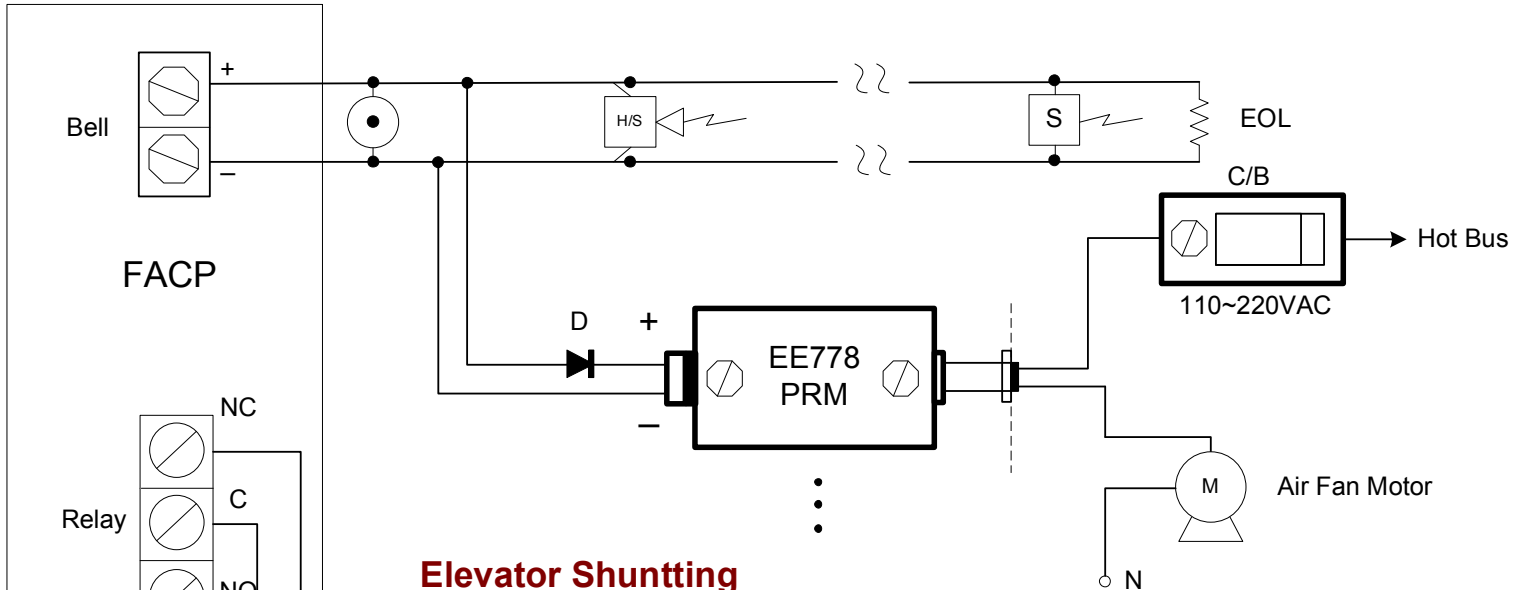


(Might also be able to interconnect to delay relay. see EE778 applications for extending the lighting time period)

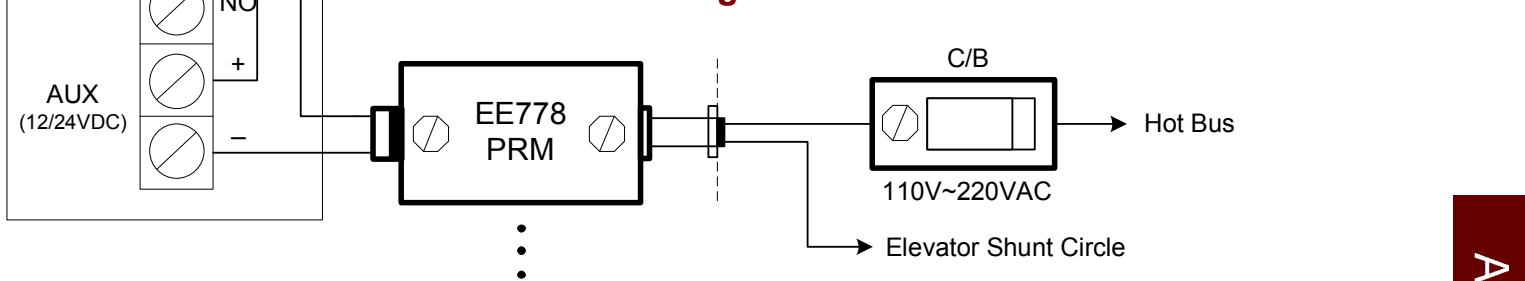
Accessories

EE778PRM

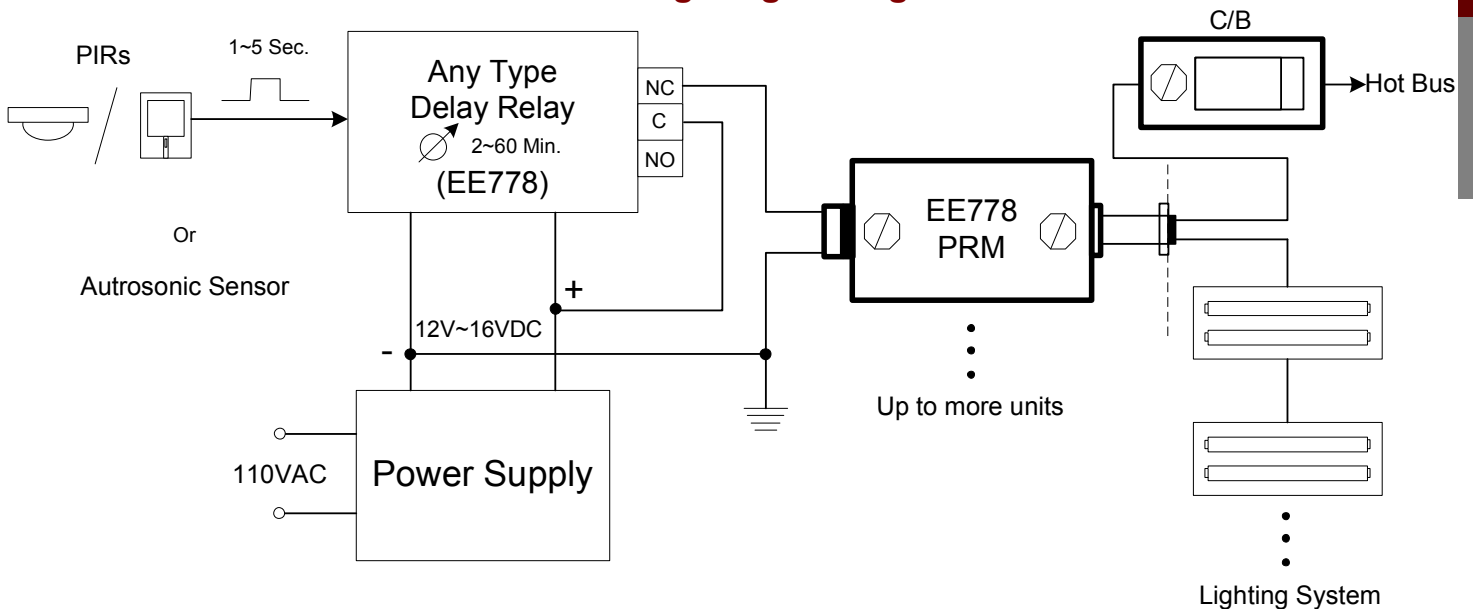
Fire Fan Control



Elevator Shunting



Utilities and Lighting Saving Control



Accessories