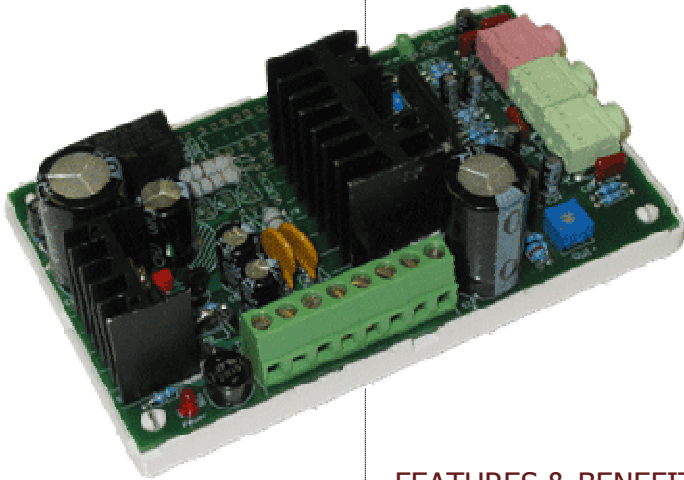


# EE515PWA



The versatile eAmp-Power is a 15/30W PA Amplifier combined with DC power supply . It is designed for stand alone or group up to multiple operations such as PA/BACKGROUND MUSIC, PHONE/ PAGING and ANNUNCIATION SYSTEMS and it also interfaces well with **eVoxcon/EE508VIF**, **EE532EXP** or **Voxbox/EE518** voice module for enhancement functions. Usable for applications for Commercial building: Office, School, Restaurant, Retail store, Bank, Museum, Hotel/Resort, Factory/ Warehouse, Residential and etc.

**Simple**  
**Flexible**  
**Powerful**

## FEATURES & BENEFITS:

### Universal use:

Can be used as standalone or can be interfaced with any type of PA, Background Music, Paging/Phone/intercom, Group Audio control, and Annunciation Systems.

### Unique flexibilities:

With wide-range power source input is from 12-24V in DC or AC. It is capable with back up battery and additional AUX 12VDC/1.5A power output for other functional devices.

### Standard audio layout:

One MIC input, two line input and one Speaker output.

### Standard control layout:

One Main volume control, three individual inputs volume control which makes easy operation.

### Easy installation:

Compact in size, no needs for big space. Mounting plate and audio cables included.

### Conditional indication:

On-board back up battery condition indicators

## Specification

### Power Supply

Power Source: DC: 12 - 24 VDC  
AC: 14 - 18 VAC  
AUX Output Voltage: 13.5 VDC  
AUX Output Current: 1.5A  
Battery Charger: 13.5 VDC  
50~300mA

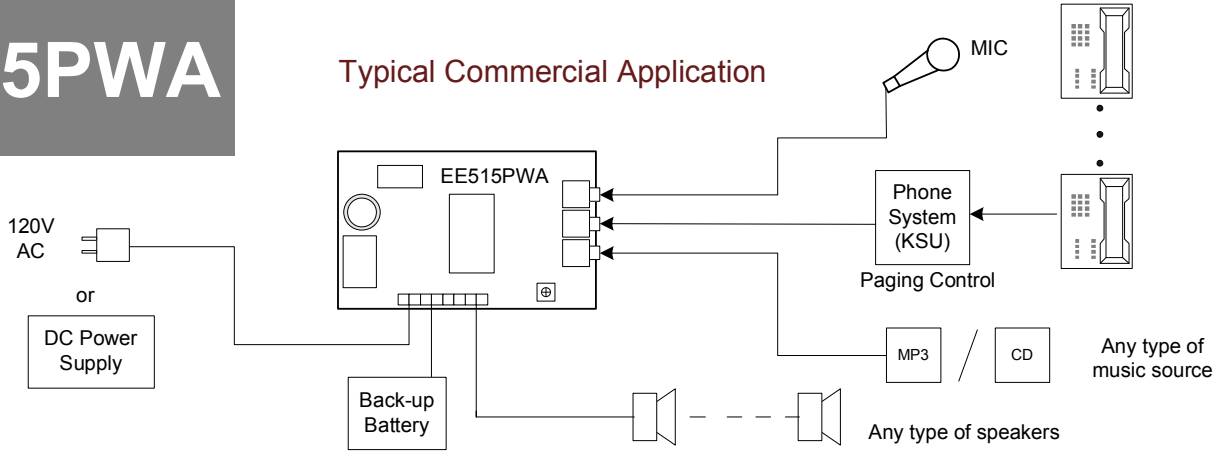
### Audio PA AMP

Operating Voltage: 12 - 24 VDC  
Current: 60 mA Standby  
800 mA Operate  
MIC Input: 1K / 100 mV  
Line-in Impedance (2): 600 ohm / 0.5V+  
Speaker Output: 15W / 8 ohm  
30W / 4 ohm  
Dimension: 2" X 3" X 0.75"

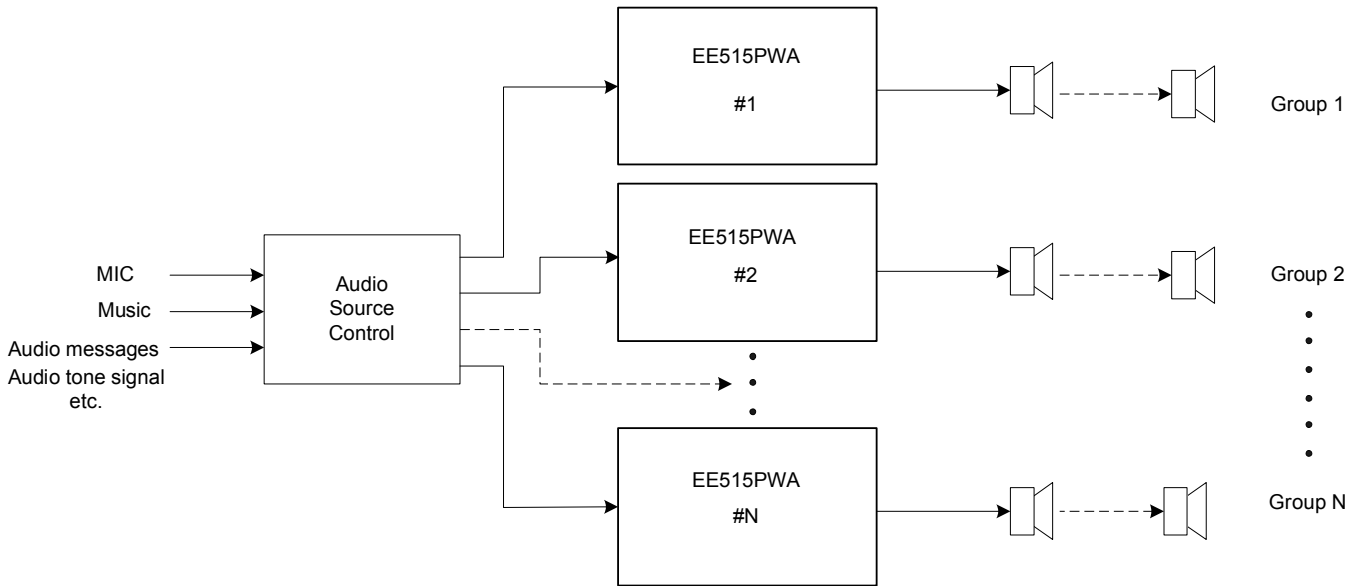
\* This is NOT a life saving device

**EE515PWA**

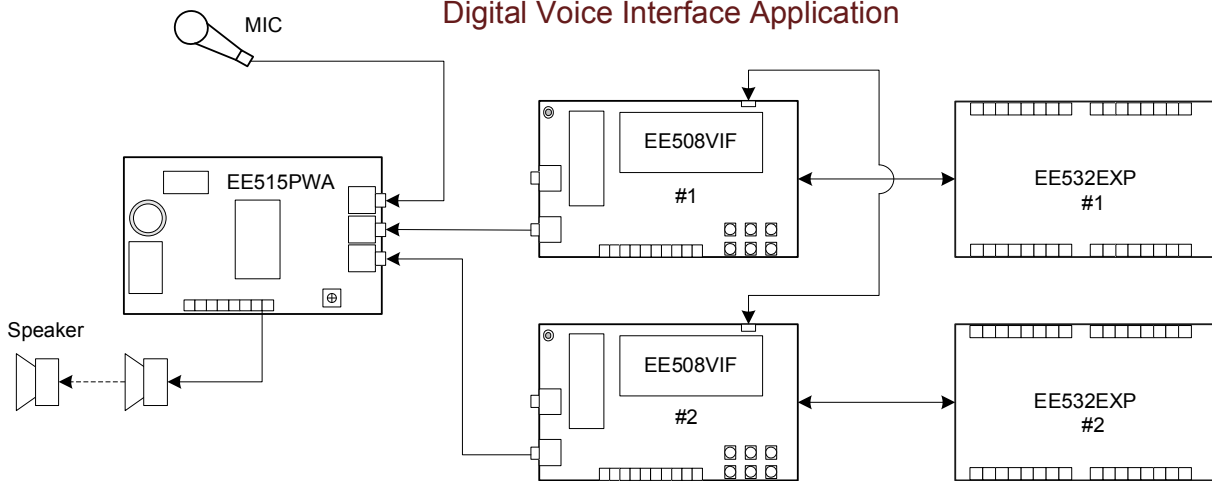
**Typical Commercial Application**



**Stereo, Multi-Channel / Group Application**



**Digital Voice Interface Application**



Up to 80 channel

\* This is NOT a life saving device