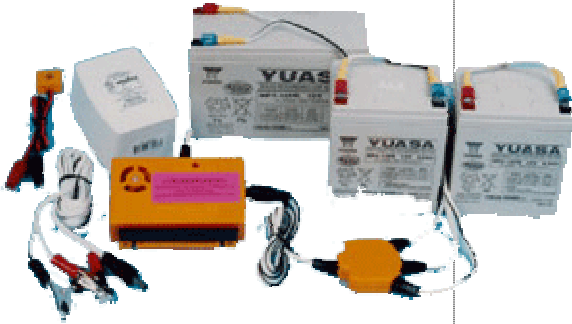


# EE888K



- ★ Installers can fully charge the battery 24-48 hours before setting up.
- ★ More than one battery, and different sizes can be charged at the same time.
- ★ Can be used on almost any size and type lead/acid battery (Fire & Burglary Alarm, Automobile, Boat, Aircraft, Scooter, Wheelchair, Power Tools Etc).
- ★ Fewer disposals will actually help the environment against pollutants and waste.

**Not only charge your battery, but also maintain it!**

The eCHARGER was originally designed for alarm dealers, as a way to extend the battery life, reduce the amount of battery replacements, and service calls. The eCHARGER can be used for multiple type and size lead acid batteries. Now installers will be able to charge the battery and measure the charge current from the control panel.

## APPLICATIONS:

Tracking the life of a battery is difficult, especially if the battery is not in use for a long time. Replacement can be expensive to the dealer and the consumer. The benefits of the eCHARGER used as long term maintenance will reduce replacement, maintains batteries fully charged without shorting, running low failing on duty. Older batteries can have new life restored. The control unit has the ability to charge different sizes and multiple batteries at the same time. Now dealers can energize larger size fire alarm batteries, while charging smaller security batteries, all at once. It is worth a small investment and very little effort; the installer can maintain the battery in peak condition before setting up for jobs.

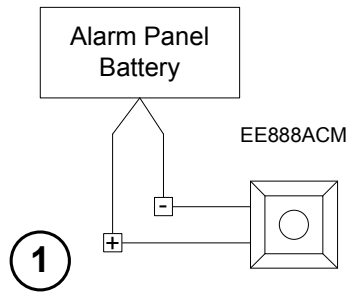
## THE MAINTAINER KIT INCLUDES:

- Alarm control charge measure: To measure the charge current from the control panel is on the good condition
- Battery Alligator Clips: Used on a variety of sizes, and type lead acid batteries
- Battery Charger Splitter: Multiple charging capability for different size standard security batteries at the same time with auto current-balancing and shorting protection

## FEATURES & BENEFITS:

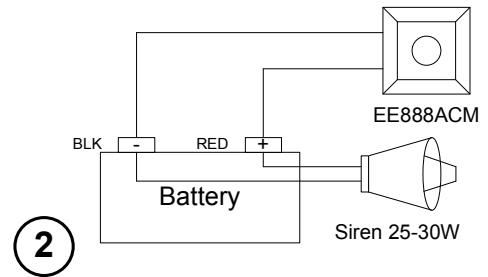
Low / high rate auto control  
12/24 VDC selectable  
Maximum charging current upto 1.8A  
Shorting protection  
Unique HSC setting (Patented) for more efficiency  
Automatically changes current balance according to battery size  
Keeps the system in top operation condition

**EE888K**



**Measuring the charge voltage/current from the alarm control panel**

Note: If the LED light is on, the control panel is in good working condition. If the LED is not on, then there could be a problem of not enough charge voltage/current for the back-up battery.

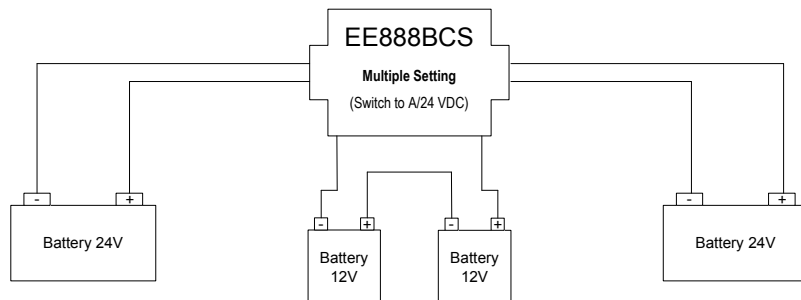
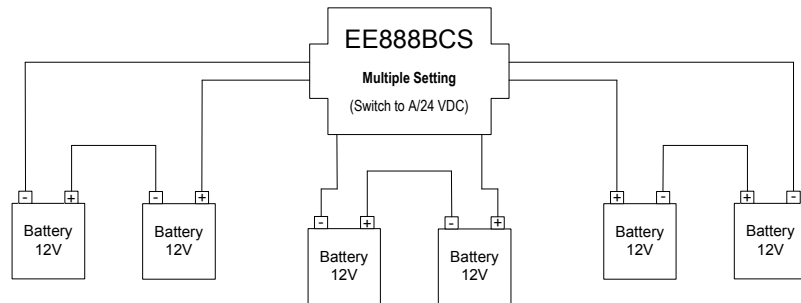
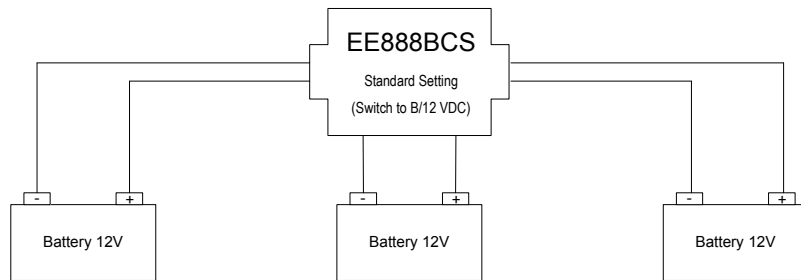


**Quick testing battery condition**

To conduct a quick test, parallel EE888ACM with battery and 30-watt siren for 10 -15 seconds. If the LED is on, the battery is re-charged and in working condition. If the LED is not on or is dim, the battery maybe bad and it cannot be used or re-charged.

Note: After the completion of battery charge, wait for a few minutes, and then test the condition.

**BATTERY CHARGE CONFIGURATION**



**REQUIRED CHARGE TIME: (Reference)**

Multiply the total battery amp per hour, by 6.0 for the total charge time to be used.

Example:

<u>Qty of Battery</u>	<u>Amp per Hour</u>	<u>Total Charge Time</u>
3	4.0 Each	72.0 Hours
	X 6.0	