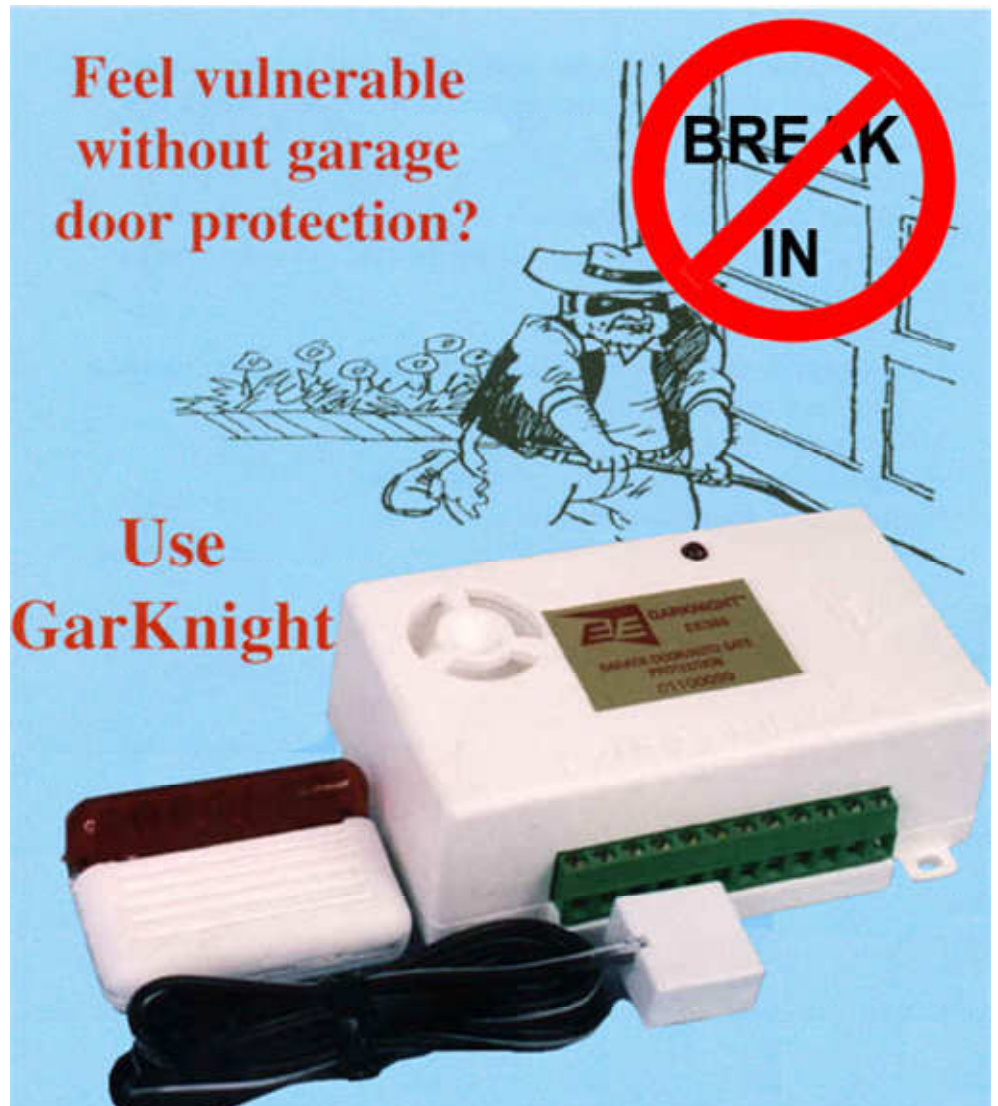


## EE388



The GarKnight / EE388 is popular for many residents to install iron bars on doors and windows or burglar alarms to protect their homes. However, the neglect to secure their garage door as well. According to statistics, many of the criminal cases of robbery, theft, rape, and murder in residential areas gained access by easily opening the garage door. The reason is the alarm system can't fully cover and secure the garage door. Quite often, many people forget to close their garage doors after they get back or leave home. There needs to be a better way to resolve these problems. GarKnight is a reliable and effective way to solve them.

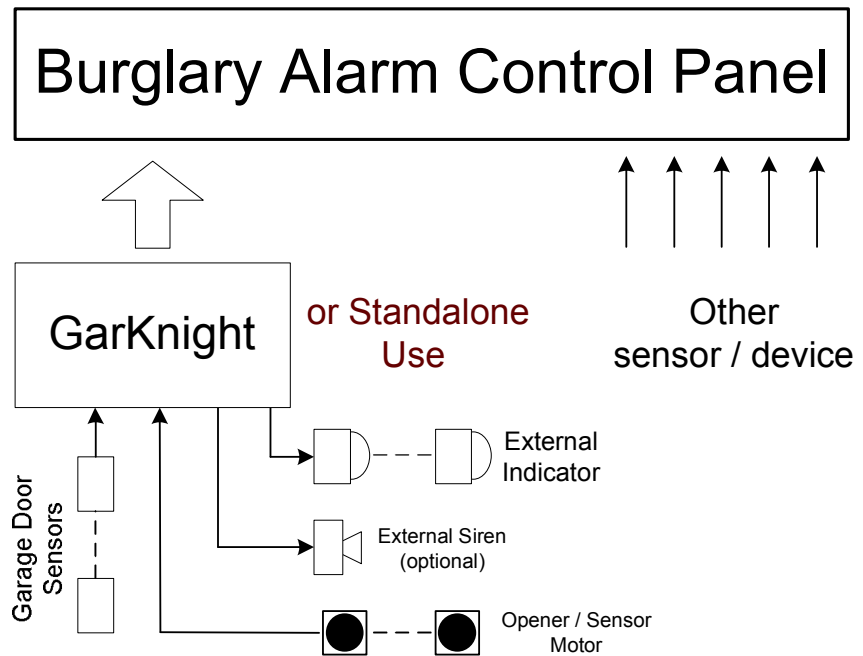
- Providing Maximum Protection for your Home
- Feel vulnerable without garage door protected?
- GarKnight is a perfect solution to put your whole house in MAXIMUM PROTECTION !
- Also could be applied as Gun Cabinet Protector



**EE388**



**Typical Application Layout**



**Specifications:**

Power Supply: 9 - 14VDC.

Current Consumption:  
50mA in standby  
100mA in alarm without external siren  
500mA in alarm with 5 watt external siren

Built-in Siren: 95 db

Size: 4' X 2 ¼' X 1 ¼'

Weight: 5 oz

**FEATURES & BENEFITS:**

**Universal Use:**

Compatible with all security alarm panels and garage door openers. Can be easily added to an existing system or installed with a new system.

**Automatic Operation:**

garage doors will automatically be armed or disarmed when opened or closed with the remote control or the open/close switch inside garage.

**Easy Installation:**

Compact in size and can be installed besides garage door opener. Very easy mounting and wire connections.

**Maintenance Free:**

Built to work reliably without maintenance.

**Built-in High Power Sounder:**

The built-in high power sounder is so loud that it can emit more than 100dB when the garage door is violated.

**Output for External Siren:**

Output can drive up to a 5-watt siren in another location.

**Built-in Indicator:**

the built-in indicator shows the status of GarKnight. User can easily identify if the garage door is armed or disarmed.

**Output for External Indicator(s):**

The output can turn on/off indicators in a remote location for easy identification of arm/disarm status of the garage doors.

**Can be Integrated with an Alarm System or Function Standalone:**

It can be integrated with a security alarm system to protect the complete premises. It also can be used as a standalone system without the use of alarm control panel.

**Can protect More Than One Garage Door:**

A Single GarKnight can protect more than one garage door by mounting operation sensors on each of the garage door openers.